

Low armchair - Collection 2

The armchair from Collection No. 2 is a perfect combination of elegance and functionality that will provide you with comfort and style in your garden, on your balcony or terrace. Made of high-quality material, it maintains its prestigious appearance regardless of weather conditions.

Material:

The material from which our products are made is high-quality polyethylene. It is characterized by exceptional resistance to mechanical damage, temperature differences and UV radiation, thanks to which the furniture is extremely durable and retains its functional properties for a long time.

ECO colour - recycled content 30%

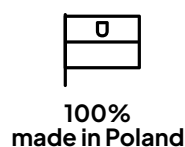
Certificate: Plastica Seconda Vita

Application: Inside/outside

Maintenance: Water with a mild detergent, a damp cloth

Dodatkowe cechy: Użytkowanie fotela dodatkowo ułatwia otwór odpływowy, który zapobiega gromadzeniu się wody deszczowej.

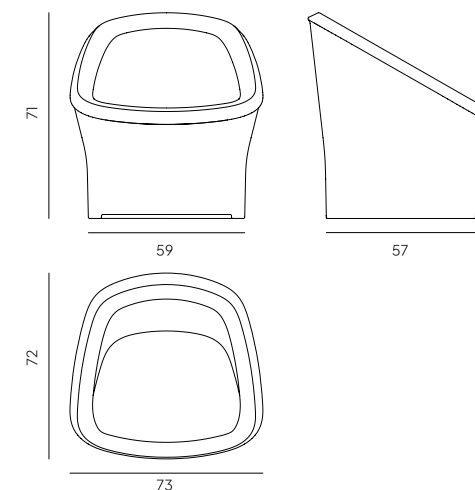
The most important features of our products:



Weight: 13 kg

Dimensions: 73×72×71 cm

Color:



Producer:

Converis Sp. z o.o., Kazimierza Wielkiego 61A, 66-300 Międzyrzecz

Designer:

Tomasz Augustyniak

Country of production:

Poland

www.venve.pl

venve