

# Coffee table - Collection 3

The dining table from Collection No. 3 combines elegance with functionality. In addition to its practical values, it is a great decoration for any space. It will fit perfectly into the natural surroundings. Ideal to complement other sets of garden furniture.

## Material:

The material from which our products are made is high-quality polyethylene. It is characterized by exceptional resistance to mechanical damage, temperature differences and UV radiation, thanks to which the furniture is extremely durable and retains its functional properties for a long time.

ECO colour - recycled content 30%

Certificate: Plastica Seconda Vita

**Application:** Inside/outside

**Maintenance:** Water with a mild detergent, a damp cloth



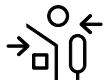
**Weight:** 15 kg

**Dimensions:** 140×60×33 cm

## The most important features of our products:



100%  
made in Poland



indoor  
outdoor



100%  
recycling



-30°C  
+60°C



UV protection



waterproof

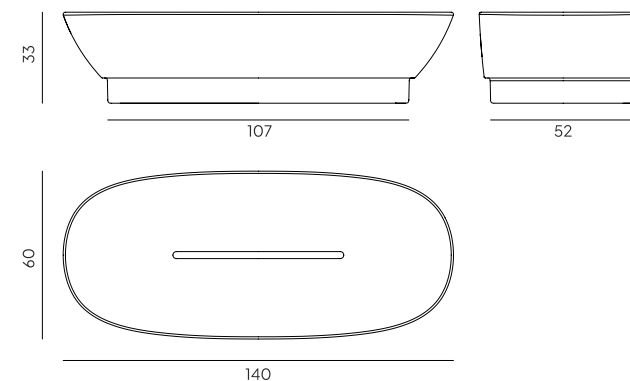


easy to clean



damage  
resistant

## Color:



## Producer:

Converis Sp. z o.o., Kazimierza Wielkiego 61A, 66-300 Międzyrzecz

## Designer:

Tomasz Augustyniak

## Country of production:

Poland

[www.venve.pl](http://www.venve.pl)

**venve**