

Chaise longue - Collection 3

The dining table from Collection No. 3 combines elegance with functionality. Thanks to carefully selected components, this piece of furniture is resistant to changing weather conditions, which allows you to enjoy it both outdoors and inside swimming pool rooms.

Material:

The material from which our products are made is high-quality polyethylene. It is characterized by exceptional resistance to mechanical damage, temperature differences and UV radiation, thanks to which the furniture is extremely durable and retains its functional properties for a long time.

ECO colour - recycled content 30%

Certificate: Plastica Seconda Vita

Application: Inside/outside

Maintenance: Water with a mild detergent, a damp cloth

Dodatkowe cechy: Użytkowanie fotela dodatkowo ułatwia otwór odpływowy, który zapobiega gromadzeniu się wody deszczowej.



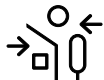
Weight: 30 kg

Dimensions: 203×80×63 cm

The most important features of our products:



100%
made in Poland



indoor
outdoor



100%
recycling



-30°C
+60°C



UV protection



waterproof

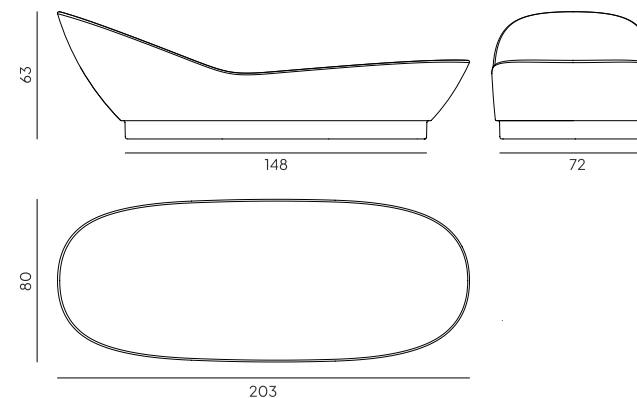


easy to clean



damage
resistant

Color:



Producer:

Converis Sp. z o.o., Kazimierza Wielkiego 61A, 66-300 Międzyrzecz

Designer:

Tomasz Augustyniak

Country of production:

Poland

www.venve.pl

venve